



# Carbon Monoxide Transmitter E2615-CO



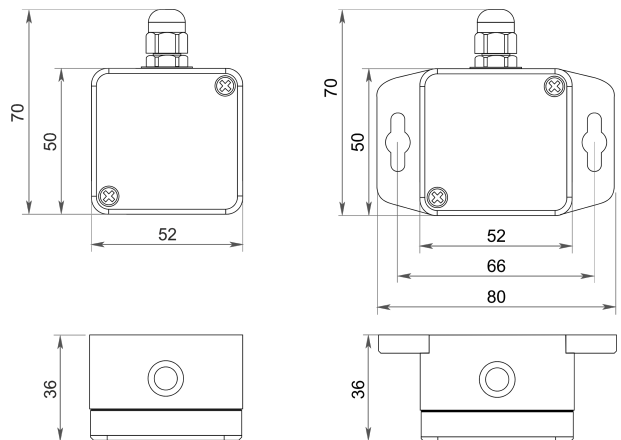
## Features

- Maintenance free sensor
- Output 0-10 V
- Range of compact wall mount enclosures
- Low cost for volume HVAC applications

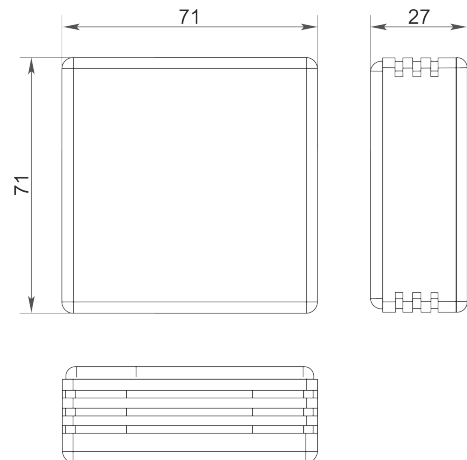
## Specifications

Sensor type	electrochemical
Sampling method	diffusion
Detection range	0-300 ppm
Resolution	1 ppm
Maximum overload	2000 ppm
Response time T90	< 45 s
Sensor protection	microporous PTFE dust filter
Warm-up time	≤ 1 min
Analog output	0-10 V
Power supply	12...30 VDC
Power consumption	< 1 W
Sensor lifetime	≥ 10 years
Sensitivity drift	< ± 20% in 5 years
Indoors enclosure	white, ivory or black ABS plastic,
IP20 version	wall mount, protection class IP20
Weatherproof enclosure	light or dark grey ABS plastic,
IP65 version	wall mount, protection class IP65
Operating conditions	-20...+40 °C recommended -20...+50 °C intermittently 10...95 %RH non-condensing, pressure 0,9...1,1 atm
EMC Emissions	to EN 61000-6-3, EN 61326-1
EMC Immunity	to EN 61000-6-1, EN 61000-6-2

## IP65 Enclosures

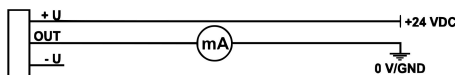


## IP20 Enclosures

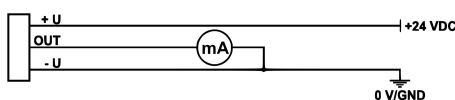


## Connection diagrams

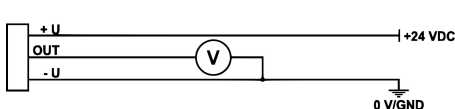
### 2-wire 4-20 mA output



### 3-wire 4-20 mA output



### 3-wire 0-10 V output



Ask for other versions or custom designed products

